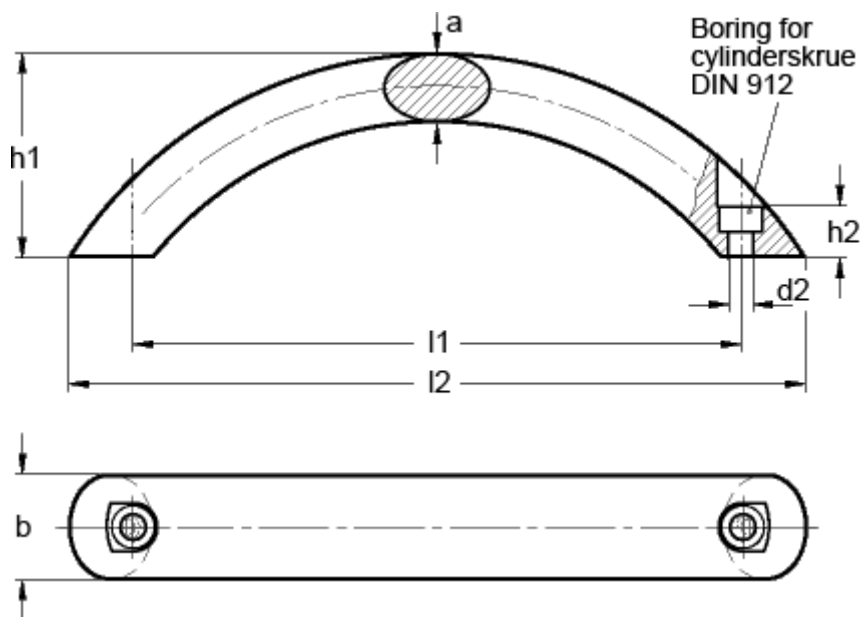


Article number: 20088150

Description: E+G Arch handle GN 565.4-20-160-B-SW

Measures



a	= 13
b	= 20
d2	= 5.3
h1	= 51
h2	= 10
l1	= 160
l2 approx.	= 185
t min	= 8.5